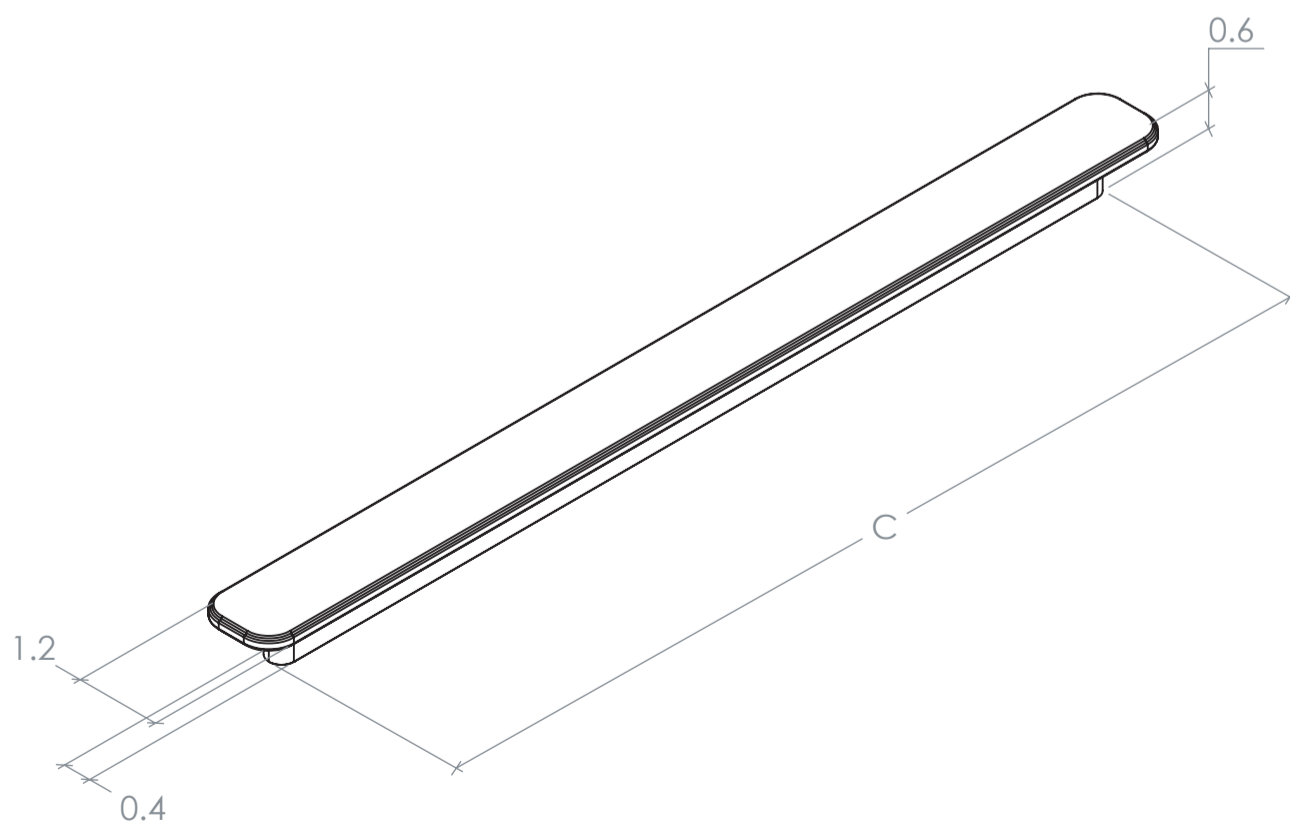
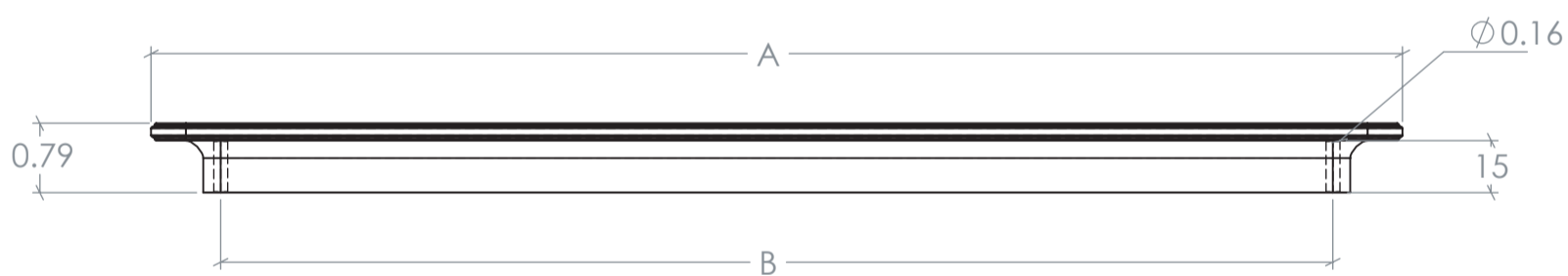


ASK040



Part No.	A	B	C
ASPH160	7.9	6.3	6.9
ASPH320	14.2	12.6	13